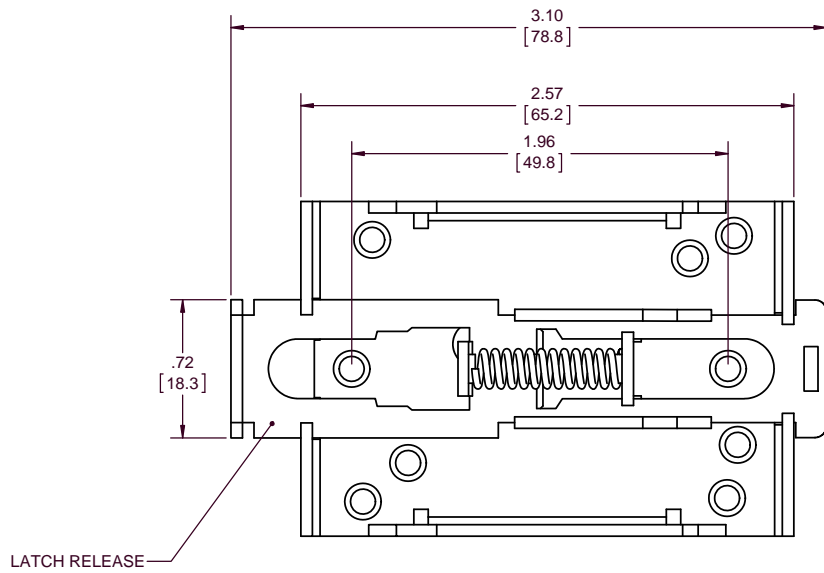
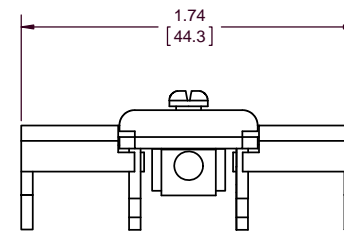
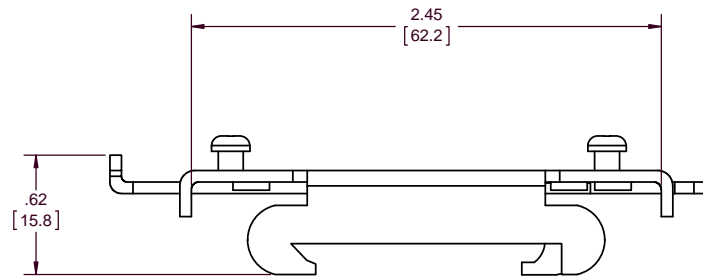
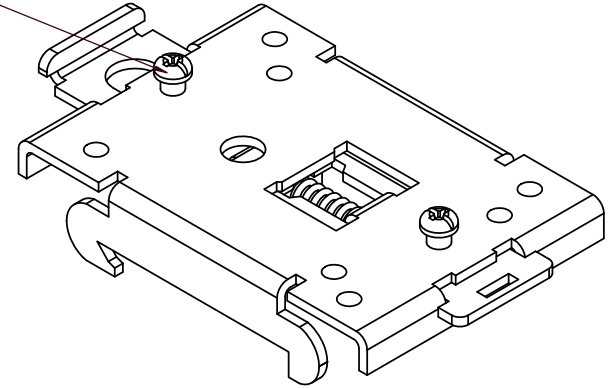


HEAT SINK HS501DR



M4 MOUNTING SCREW
(2 PLACES)



Tolerances: ± 0.02 in / 0.5 mm. All dimensions are in: inches [millimeters]